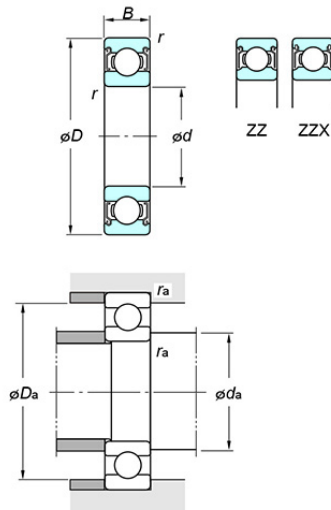


Deep groove ball bearings - Single-row - Shielded/sealed type - Shielded ZZ



Bearing No. 6200 ZZ

Specifications

(Boundary dimensions ...etc)

d(mm)	10
D(mm)	30
B(mm)	9
r(min.)(mm)	0.6
Basic load ratings : Cr(kN)	6.40
Basic load ratings : C0r(kN)	2.40
Fatigue load limit : Cu(kN)	0.120
factor : f0(l)	13.2
Limiting speeds(Grease lub.)(min-1)	24000
Limiting speeds(Oil lub.)(min-1)	

Mounting dimensions

da(min.)(mm)	14
da(max.)(mm)	15
Da(max.)(mm)	26
ra(max.)(mm)	0.6

Refer.

(Refer.)Mass(kg)	0.032
------------------	-------